



Air Hydraulic Bottle Jacks

Model: ZABJ-M Series
Capacity: 12 to 35 tons

Usage

When connected to your shop's air lines, these versatile jacks can safely deliver lifting power with the push of a button, for lifting of heavy cars, trucks and other applications.

Special Features

1. Fast and efficient air pump saves lifting time; has its own built-in safety valve to prevent overload.
2. Welded steel construction reduces metal fatigue allowing for a longer life.
3. Forged steel base increases resistance to high pressure and increases durability.
4. Heat treated extension screw and release valve adds extra strength and life span.
5. Extremely strong and well designed swivel head bolt with 360° movement to prevent hose binding.
6. Spring coil protectors on both ends to prevent punctures.
7. Rust preventive coating on ram and extension screw.
8. Convenient push button flap type air operation valve.
9. Welded carrying handle for easy transport.



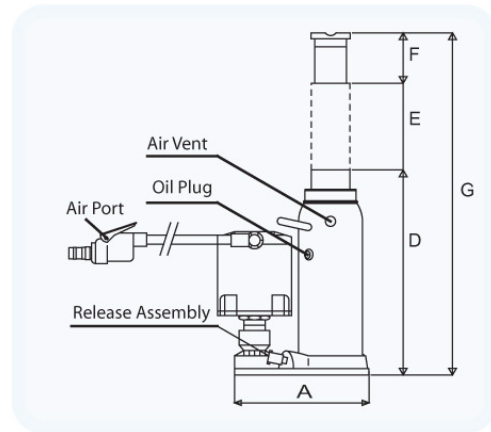
Optional in-line adapters



In-line oil lubricator. Add to air line to meter precise flow of lubricant to air pump.



In-line filter. Add to air line to screen the flow preventing dirt contamination.



Model Number	Capacity (Tons)	Lifting Time By Air Supply(sec.)		Air Pressure Range (psi)	Dimensions (in)					Shipping Weight (lbs)
		No Load	Load		Base Area A	Min. Height D	Lift E	Screw Ext. F	Max. Height G	
ZABJ-12M	12	40	159	40 - 140	6 1/2 x 4	9 1/2	5 1/4	3 1/4	18	24
ZABJ-22M	22	50	195	40 - 140	7 1/4 x 5	10 1/2	6	3	19 1/2	34
ZABJ-22MB	22	40	153	40 - 140	7 1/4 x 5	7 1/4	3 1/4	1 3/4	12 1/2	26
ZABJ-35M	35	60	210	40 - 140	7 3/4 x 5 5/8	11	6 1/4	—	17 1/4	48

* B = Low Profile