



Toll Free: 1-800-579-8088 Web: www.zinko.com

MODELS

## ZABJ-12M, ZABJ-12MB, ZABJ-22M, & ZABJ-22MB Air Hydraulic Bottle Jacks

### Operating Instructions & Repair Parts List

#### Operation

The owner and/or operator shall have an understanding of these operating instructions and warnings before operating the jack. Warning information shall be emphasized and understood. If the operator is not fluent in English, the instructions and warning shall be read to and discussed with the operator in the operator's native language by the purchaser/owner, making sure that the operator comprehends its contents.

#### WARNING

##### For Your Safety and to Prevent Injury

1. **READ THIS OPERATION MANUAL THOROUGHLY** and fully understand its contents before using the jack. The manual explains important warning information.
2. This jack is designed for lifting purposes only, not for supporting loads.
3. Immediately after jacking, support vehicle (load) with appropriately rated stands or equivalent blocking.
4. **DO NOT ALLOW JACK ALONE, TO SUPPORT VEHICLE (LOAD).**
5. **DO NOT OVERLOAD THIS JACK BEYOND ITS RATED CAPACITY.**
6. This jack is designed for use only on hard level surfaces capable of sustaining the load. Use on other than hard level surfaces may result in jack instability and possible loss of load.
7. Failure to read these warnings may result in loss of load, damage to jack and/or failure resulting in personal injury or property damage.
8. **NEVER** get your arm, leg, and/or body under a heavy load supported only by a jack.
9. When the handle is not in use, remove it from the body of the jack. Never use a handle other than the one designated by the specifications.
10. Operating air pressure **MUST** be within the range of **100 to 200 psi**.
11. Be sure to **USE CLEAN, DRY AIR**. Dirty or humid air may cause malfunction of air pump. Clean dirt from air hoses and connect together.
12. Failure to read this caution may result in loss of load, damage to jack, and/or failure resulting in personal injury or property damage.

#### Inspection

1. Visual inspection shall be made before each use of the jack, checking for leaking hydraulic fluid, and damaged, loose or missing parts.
2. Each jack shall be inspected by an authorized **ZINKO** service facility immediately, if subjected to an abnormal load or shock.
3. Owners and/or users should be aware that repair of this equipment may require specialized knowledge and facilities. It is recommended that an annual inspection of the jack be made by an authorized **ZINKO** service facility and that any defective parts, decals or warning labels be replaced with genuine **ZINKO** parts. A list of authorized service facilities is available from **ZINKO**.

#### Damaged Jacks

Any jack which appears to be damaged in any way, is found to be badly worn, or operates abnormally SHALL BE REMOVED FROM SERVICE until necessary repairs are made by an authorized **ZINKO** service facility.

#### Operating Instructions (Before Use)

1. **Check oil level.** With the jack in an upright position and the ram completely retracted, open release valve by turning release assembly counterclockwise. Remove filler plug; the oil level should be just up to the hole. Fill if necessary with clean hydraulic jack oil. **NEVER USE BRAKE OR SHOCK ABSORBER FLUID.**
2. **Lubricate internal components.** With release valve open, pump handle six full strokes to assure proper internal lubrication.
3. **Bleed the hydraulic system.** During transit hydraulic jacks may become "air-bound", causing spongy ram action. To bleed the hydraulic system: **a)** Close the release valve by turning clockwise. **b)** Insert handle in socket and pump jack up to full height. **c)** Open the release valve, invert the jack and force the ram to retract.

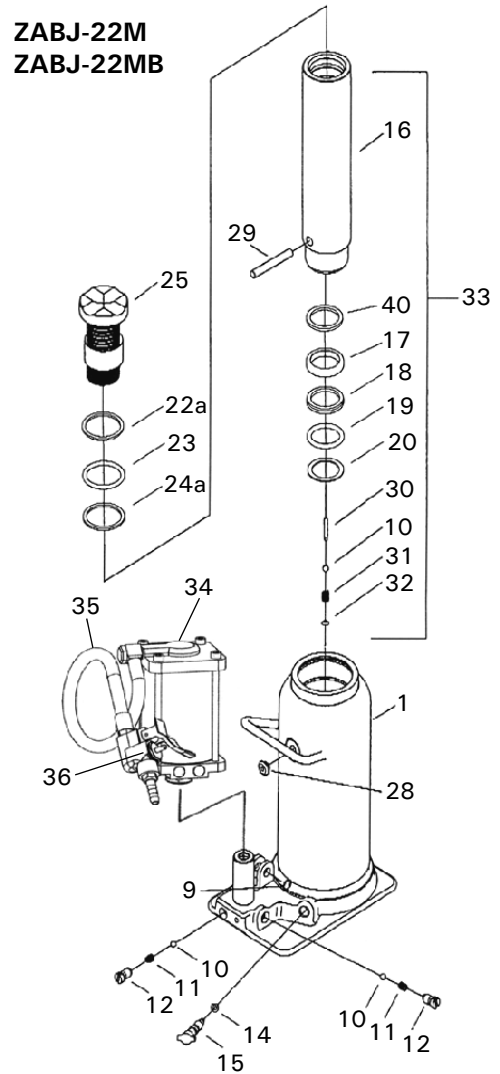
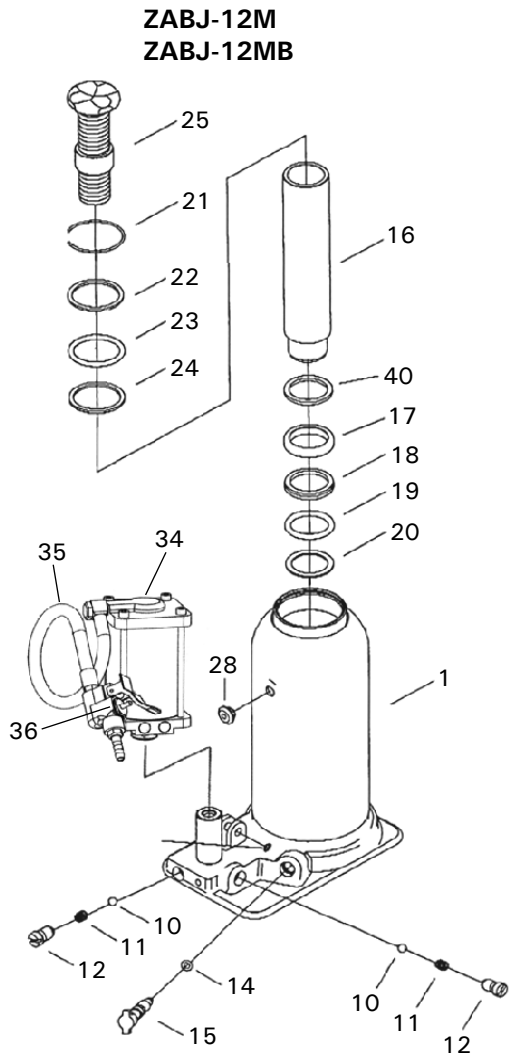
#### Using the Jack

1. Use the shortest possible air hose from compressor to the jack. Clean dirt from air hose and connect together. **BE SURE** to attach air filter and oiler to the outlet of compressor.
2. Close release valve, depress air valve and check lifting ram. Open release valve and check lowering of the ram.
3. Once the saddle contacts the load, **STOP** and re-check the point of contact to ensure load is centered. Raise the load carefully to desired height and never raise further.
4. After jacking, **BE SURE TO TRANSFER LOAD TO JACK STAND.**
5. Lower load by turning release valve counterclockwise slightly and very slowly. **DO NOT TURN RELEASE VALVE MORE THAN TWICE**, which can cause dangerous sudden lowering.

**NOTE:** Take care not to contaminate coupler with dirt or sand which may cause malfunction of jack and air pump. **BE SURE** air hose is kept connected while centering jack under point of contact.

# Zinko Hydraulic Jack

## Model: ZABJ-M Series Parts Breakdown



Part #	Description
1	Body Assembly
9	Snap Ring/Push Nut
10	Valve Ball
11	Valve Spring
12	Valve Plug
14	Release Packing
15	Release Assembly
16	Ram
17	Ram Packing Seat

Part #	Description
18	Ram Backup Ring
19	Ram Packing
20	Ram Packing Stopper
21	Snap Ring
22	Stuffing Ring
23	Cylinder Packing
24	Stopper Ring
25	Adj. Screw Assembly
28	Oil Plug

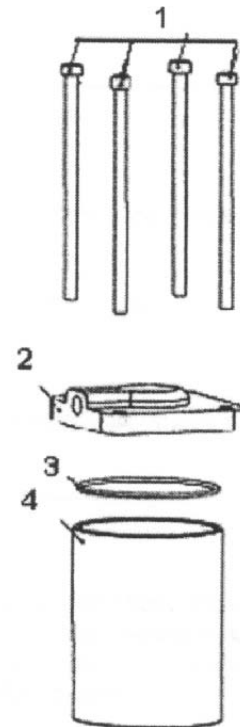
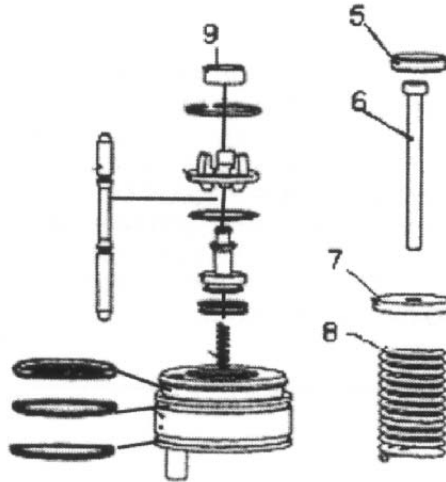
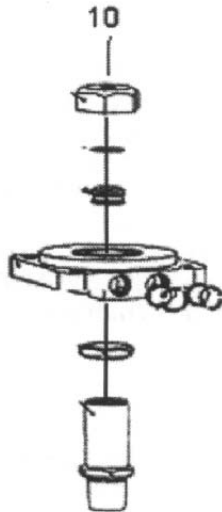
Part #	Description
29	Horizontal Pin
30	Vertical Pin
31	Ram Spring
32	Ram Spring Stopper
33	Ram Assembly
34	Air Pump Assembly
35	Air Hose
36	Air Hose Switch
40	Ring

# Zinko Hydraulic Jack

## Model: ZABJ-M Series

### Utility Air Pump

#10 Bottom Cap Assembly



#9 Repair Kits Assembly

Part #	Description
9060200CP-AP	Air Pump Assembly
9060200CP-01	Bolt
9060200CP-02	Top Cap
9060200CP-03	O-Ring
9060200CP-04	Cylinder
9060200CP-05	Piston Plug

Part #	Description
9060200CP-06	Piston Rod
9060200CP-07	Packing
9060200CP-08	Compression Spring
9060200CP-09	Piston Body Assy
9060200CP-10	Bottom Cap Assy

### CAUTION

- DO NOT OVERFILL OIL BEYOND THE OIL FILL LEVEL, AS THE JACK'S OIL AMOUNT LIMITS THE MAXIMUM EXTENSION OF THE RAM.** Too much oil may make the ram fall off, which may result in a serious accident.
- SLOWLY TURN RELEASE STEM.** Turning it quickly makes a heavy load fall rapidly, which may result in jack's losing engagement at jacking point, and/or damage to jack leading to a serious accident.
- If stains on labels make it difficult to make out the instructions on them, or jack appears to be in an abnormal condition, consult your dealer immediately.
- Ensure no foreign matter such as dirt enters the system while filling oil. **NEVER USE BRAKE OIL OR VEGETABLE OIL, AS SUCH OIL CAUSES JACK TO MALFUNCTION.**

### Maintenance

- Lubrication.** LACK OF OIL CAN CAUSE MALFUNCTION. Occasionally lubricate the handle socket pivot point, extension screw, and release screw thread to prevent corrosion.
- To Add or Replace Hydraulic Jack Oil.**
  - Retract ram completely.
  - Remove filler plug with your fingers and fill reservoir with designated jack oil or general hydraulic fluid to the bottom edge of fill hole with jack upright.
  - Replace filler plug, operate pump to the ram's full height, and continue pumping for five or six times at the position. Push down ram completely and push open filler plug sideways to let out air.

**Proper Oil:** ISO VG 10. Never use high viscosity oil or volatile oil such as brake oil or vegetable oil which may cause malfunction. We recommend annual oil replacement and inspection. Please contact a **ZINKO** service center for service inspection.
- Storing Jack.** After using, clean jack, check sliding and rotating parts and oil as needed. When storing, keep ram and extension screw at lowest position and store the unit(s) indoors.

# Zinko Hydraulic Jack

## Models: ZABJ-M Series

REV 092107

### Troubleshooting

PROBLEM	CAUSE	SOLUTION
Air Pump Will Not Operate.	<ol style="list-style-type: none"> <li>1. Low air pressure.</li> <li>2. Air outlet is frozen.</li> <li>3. Packing defective, switching valve defective or dirty.</li> <li>4. Lack of oil.</li> </ol>	<ol style="list-style-type: none"> <li>1. Keep air pressure between 100-200 psi.</li> <li>2. Stop using and thaw outlet.</li> <li>3. Contact service center.</li> <li>4. Supply oil from coupler or contact service center.</li> </ol>
Air Pump Acts But Ram Will Not Rise.	<ol style="list-style-type: none"> <li>1. Release valve is open.</li> <li>2. Lack of hydraulic oil.</li> <li>3. "Air-bound" in valve system.</li> <li>4. Inlet/outlet valve dirty or defective, packing defective.</li> </ol>	<ol style="list-style-type: none"> <li>1. Close valve clockwise.</li> <li>2. Supply oil.</li> <li>3. Remove spring, close valve and raise ram.</li> <li>4. Contact service center.</li> </ol>
Ram Will Not Rise to the Highest Position.	<ol style="list-style-type: none"> <li>1. Lack of oil.</li> <li>2. Release valve not securely closed.</li> </ol>	<ol style="list-style-type: none"> <li>1. Supply oil.</li> <li>2. Close valve clockwise.</li> </ol>
Ram Will Not Lower.	<ol style="list-style-type: none"> <li>1. Outlet valve dirty or defective, or packing defective.</li> </ol>	<ol style="list-style-type: none"> <li>1. Contact service center.</li> </ol>
Ram Rises Slowly.	<ol style="list-style-type: none"> <li>1. Filter is loaded, air pump packing defective, or valve not properly opened or closed.</li> </ol>	<ol style="list-style-type: none"> <li>1. Contact service center.</li> </ol>
Oil Blowing From Air Pump.	<ol style="list-style-type: none"> <li>1. Packing defective.</li> </ol>	<ol style="list-style-type: none"> <li>1. Contact service center.</li> </ol>
Ram Will Not Lower.	<ol style="list-style-type: none"> <li>1. Release valve defective.</li> </ol>	<ol style="list-style-type: none"> <li>1. Contact service center.</li> </ol>
Ram Will Not Lower Completely.	<ol style="list-style-type: none"> <li>1. Deformation by overload or eccentric load.</li> </ol>	<ol style="list-style-type: none"> <li>1. Contact service center.</li> </ol>

If the above procedures do not correct the problem, contact your nearest **ZINKO** service facility. When submitting any jack or equipment to be repaired, be sure to state the nature of the problem and indicate whether an estimate of the repair cost is needed.



### ZINKO HYDRAULIC JACK

PO Box 4903, Ontario, CA 91761

Toll Free: 1-800-579-8088

<http://www.zinko.com>

Phone: (909) 989-9526

Fax: (909) 989-1724