



Toll Free: 1-800-579-8088 Web: www.zinko.com

MODELS

ZAP-101, ZAP-102, ZAP-103, & ZAP-104

Air Hydraulic Foot/Hand Pump

## Operating Instructions & Repair Parts List

### Operator Responsibilities

It is the operator's responsibility to read and understand the following safety statements. Only qualified operators should install, operate, adjust, maintain, clean, repair, or transport this machinery. These components are designed for general use in normal environments. These components are not specifically designed for lifting and moving people, agri-food machinery, certain types of mobile machinery, or special work environments such as: explosive, flammable, or corrosive. Only the user can decide the suitability of this machinery in these conditions or extreme environments. ZINKO will supply information necessary to help make the decision. These instructions are intended for end-user application needs. Most problems with new equipment are caused by improper operation or installation. A detailed parts list can be obtained from ZINKO upon request.

### WARNING

All Warning Statements must be carefully observed to help prevent personal injury.

1. Before operating the pump, all hose connections must be tightened with proper tools. **DO NOT OVER TIGHTEN.** Connections should only be tightened securely and leak-free. Over tightening can cause premature thread failure or high pressure fittings to split at pressures lower than their rated capacities. Should a hydraulic hose ever rupture, burst, or need to be disconnected, immediately shut off the pump and release all pressure. **Never attempt to grasp a leaking pressurized hose with your hands.** The force of escaping hydraulic fluid could cause serious injury.
2. **DO NOT** subject the hose to potential hazards such as fire, sharp surfaces, extreme heat or cold, or heavy impact. Do not allow the hose to be altered or kink, twist, curl, crush, cut, or bend so tightly that the fluid flow within the hose is blocked or reduced. Periodically inspect the hose for wear, because any of these conditions can damage the hose and possibly result in personal injury.
3. **DO NOT USE THE HOSE TO MOVE ATTACHED EQUIPMENT.** Stress can damage hose and possibly cause personal injury.
4. Hose material and coupler seals must be compatible with the hydraulic fluid used. Hoses also must not come in contact with corrosive materials such as creosote-impregnated objects and some paints. Consult the manufacturer before painting a hose. Hose deterioration due to corrosive materials can result in personal injury. **NEVER PAINT COUPLERS.**
5. Inspect machine for wear, damage, and correct function before each use. Do not use machinery that is not in proper working order, but repair or replace it as necessary.
6. **REPLACE WORN OR DAMAGED SAFETY DECALS.**
7. **MODIFICATION OF A PRODUCT REQUIRES WRITTEN ZINKO AUTHORIZATION.**
8. Use only components with the same pressure rating when assembling a system or machine.

### PUMP

1. **DO NOT EXCEED THE HYDRAULIC PRESSURE RATING NOTED ON THE PUMP DATA PLATE OR TAMPER WITH THE INTERNAL HIGH PRESSURE RELIEF VALVE.** Creating pressure beyond the rated pressure can result in personal injury.
2. Before replenishing the fluid level, retract the system to prevent overfilling the pump reservoir. An overfill can cause personal injury due to excess reservoir pressure created when cylinders are retracted.

### AIR SUPPLY

1. **SHUT OFF AND DISCONNECT THE AIR SUPPLY WHEN THE PUMP IS NOT IN USE OR BEFORE BREAKING ANY CONNECTIONS IN THE SYSTEM.**

### Preparations & Setup

#### Air Supply Hook-up

Remove the thread protector from the air inlet of the pump. Select and install the threaded fittings which are compatible with your air supply fittings. The air supply should be 20 CFM (.57 M3/mm.) and 100 psi (7 bar) at the pump to obtain the rated hydraulic pressure. Air pressure should be regulated to a maximum of 140 psi (9 bar). Secure your pump fitting to the air supply.

*If improperly used, pressurized equipment can be potentially hazardous. Therefore:*

1. **Hydraulic connections must be securely fastened before building pressure in the system.**
2. **Release all system pressure before loosening any hydraulic connection in the system.**

### Operating Instructions

#### Hydraulic Connections

Clean all the areas around the fluid ports of the pump and cylinder. Inspect all threads and fittings for signs of damage and replace as needed. Clean all hose ends, couplers, and union ends. Remove the thread protectors from the hydraulic fluid outlets. Connect the hose assembly to the hydraulic fluid outlet and couple the hose to the cylinder.

# Zinko Hydraulic Jack

## Models: ZAP Series Operating Instructions *(continued)*

**IMPORTANT:** Seal all external pipe connections with high grade thread sealant. Teflon tape may also be used to seal hydraulic connections, **provided only one layer of tape is used**. Apply the tape carefully, two threads back, to prevent it from being pinched by the coupler and broken off inside the system. Any loose pieces of tape could travel through the system and obstruct the flow of fluid or cause jamming of precision-fit parts.

### Priming the Pump Unit

Under certain circumstances it may be necessary to prime the pump unit. To do so, follow these instructions:

#### For Hand/Foot Pumps:

1. Press the release end of the pedal while holding down the air intake valve with a flattened screwdriver. The air intake valve is located directly under the pedal in the area marked "PUMP". The air intake valve is depressed simultaneously with the "RELEASE" area of the pedal during priming.
2. Allow the pump to cycle for approximately 15 seconds.
3. Remove the screwdriver, and press the "PUMP" end of the pedal once more.
4. If the cylinder extends or pressure builds, the pump has been successfully primed. If the pump does not respond, repeat the procedure, joggling the air intake valve while holding the pedal in the "RELEASE" position.

### Pump Operation



*Activating the pump with the pedal end marked with this picogram, the fluid is directed out of the reservoir.*



*Activating the pump with the pedal end marked with this picogram, the fluid is directed back to the reservoir.*

#### For Hand/Foot Operated Pumps:

1. To extend the cylinder, depress the pedal on the end marked "PUMP".
2. To hold the cylinder in position, release the end of the foot pedal marked with "PUMP" to deactivate the pump.
3. To retract the cylinder, depress the pedal on the end marked "RELEASE".

#### For Pumps With Air Regulators:

1. Open the air shut-off valve (if so equipped) or connect the air quick coupler (if so equipped). NOTE: Under certain circumstances the pump may need to be primed before operation.
2. Slowly turn the air regulator control on unit clockwise to increase pressure, counterclockwise to decrease pressure. As air is admitted to the pump unit, it will begin to deliver fluid to the system. Continue to slowly turn the air regulator control clockwise until the gauge reads the maximum hydraulic pressure rating as stated on the pump's data plate. A maximum hydraulic pressure reading should be obtained as air pressure is approximately 100 psi (7 bar).
3. Cycle the system several times by manually shifting the 3-way/4-way valve (if so equipped) or the remote valve (if so equipped). Set the air regulator to obtain the desired hydraulic pressure. When decreasing air pressure, shift the valve after each adjustment before measuring actual hydraulic pressure.
4. Shut off and disconnect air supply to the pump and shift pump valve (if so equipped) or remote valve (if so equipped) two times to release all system pressure. Check fluid level with the hydraulic system retracted. **THE PUMP IS NOW READY FOR OPERATION.** Note: The Hydraulic pressure is increased or decreased by adjusting the air inlet pressure at the regulator.

### 2-Stage Pumps

On two-stage pumps, the air pressure regulator that is mounted on the pump controls only the output from the high pressure stage. The output of the low pressure stage of the pump is determined by the air line pressure coming from the remote regulator. A remote regulator is required to control the air pressure from the line. **The independent functioning of the low and high pressure stages of this pump can be best described as follows:** At the minimum air line pressure of 40 psi (3 bar), the low pressure stage of the pump will deliver 480 psi (33 bar) hydraulic pressure (with the pump regulator turned *counterclockwise* to prevent air pressure from activating the high stage of the pump). At the minimum air line pressure of 40 psi (3 bar) the high pressure stage of the pump will deliver 4,000 psi (275 bar) hydraulic pressure (with the pump regulator turned *clockwise* to allow air pressure to reach the high pressure stage). Always remember that the pump regulator must be turned fully *counterclockwise* when the pump is used to produce 1,200 psi (83 bar) or less.

### Preventive Maintenance

**IMPORTANT:** Any repair or servicing that requires dismantling that pump must be performed in a dirt-free environment by a qualified technician. Dispose of machine fluids properly.

### Lubrication

**For Hand/Foot Pumps:** If the pump is operated on a continuous duty cycle for extended periods, the manufacturer recommends installing an automatic air line oiler in the air inlet as close to the pumping unit as possible. Set the unit to feed approximately one drop of oil per minute into the system. Use **SAE No. 10 Oil**.

**Bleeding Air From the System:** During the first moments of operation after prolonged use, a significant amount of air may accumulate within the hydraulic system. This entrapped air may cause the cylinder to respond slowly or behave in an unstable manner. To remove the air, run the system through several cycles (extending and retracting the cylinder)

# Zinko Hydraulic Jack

## Models: ZAP Series Preventive Maintenance *(continued)*

free of any load. The cylinder must be at a lower level than the pump to allow air to be released through the pump reservoir.

**Inspecting the Hydraulic Fluid Level:** Check the fluid level in the reservoir after every 10 hours of use. Drain and replenish the reservoir with approved hydraulic fluid after approximately 300 hours of use.

***For pumps with a 105 cubic inch (1.71L) reservoir capacity:***

The fluid level should be 1/2" (12.7mm) from the filler/vent cap with all cylinders retracted.

***For pumps with a 2 gallon (7.61L) reservoir capacity:***

The fluid level should be 1 3/4" (44.5mm) from the filler/vent with all cylinders retracted.

### Draining and Flushing the Reservoir

**IMPORTANT:** Wipe the pump exterior completely clean before attempting this procedure.

1. Remove the screws that fasten the pump assembly to the reservoir. Remove the pump assembly from the reservoir. DO NOT DAMAGE THE GASKET, FILTER, OR SAFETY VALVE.
2. Drain the reservoir of all fluid and refill half full with clean hydraulic fluid. Rinse the filter clean.
3. Place the pump assembly back onto the reservoir, and secure with two of the machine screws assembled in opposite corners of the housing.
4. Run the unit for several minutes. Use the same method described in the section titled *Priming the Pump Unit*.
5. Drain and clean the reservoir once more.
6. Refill the reservoir with approved hydraulic fluid and replace the pump assembly (with gasket) on the reservoir and install the screws. Torque the screws as follows: ***for 105 cubic inch (1.71L) reservoirs, torque to 25 to 30 inch pounds (2.8 to 3.4 Nm).***

**IMPORTANT:** Drain and clean the other hydraulic system components (hoses, cylinders, etc.) before reconnecting them to the pump. This will prevent contaminated fluid from entering the pump again.

**Refilling the Bladder:** If additional fluid must be added to the reservoir, use only approved hydraulic fluid (215 SSU @ 100° F (38° C)). Clean the entire area around the filler plug before adding fluid to the reservoir. Remove the filler plug, and insert a clean funnel with filter. **The cylinder must be fully retracted and the air supply disconnected when adding the fluid to the reservoir.**

### Periodic Cleaning

**IMPORTANT:** The greatest single cause of failure in hydraulic pumps is dirt. Keep the pump and attached equipment clean to prevent foreign matter from entering system.

A routine should be established to keep the pump as free from dirt as possible. All unused couplers must be sealed with thread protectors. All hose connections must be free of grit and grime. Any equipment hooked up to the pump should also be kept clean. Use only approved hydraulic fluid in this unit and change as recommended (every 300 hours).

### Accessories

Gauges and accessories may not be included with the pump. However, ***a hydraulic gauge is strongly recommended whenever the pump is used.***

1. The gauge MUST BE of the proper rating for the pressure used.
2. Use only ZINKO approved accessories, hydraulic fluid, and repair parts.

### *Installing An In-line Air Pressure Gauge*

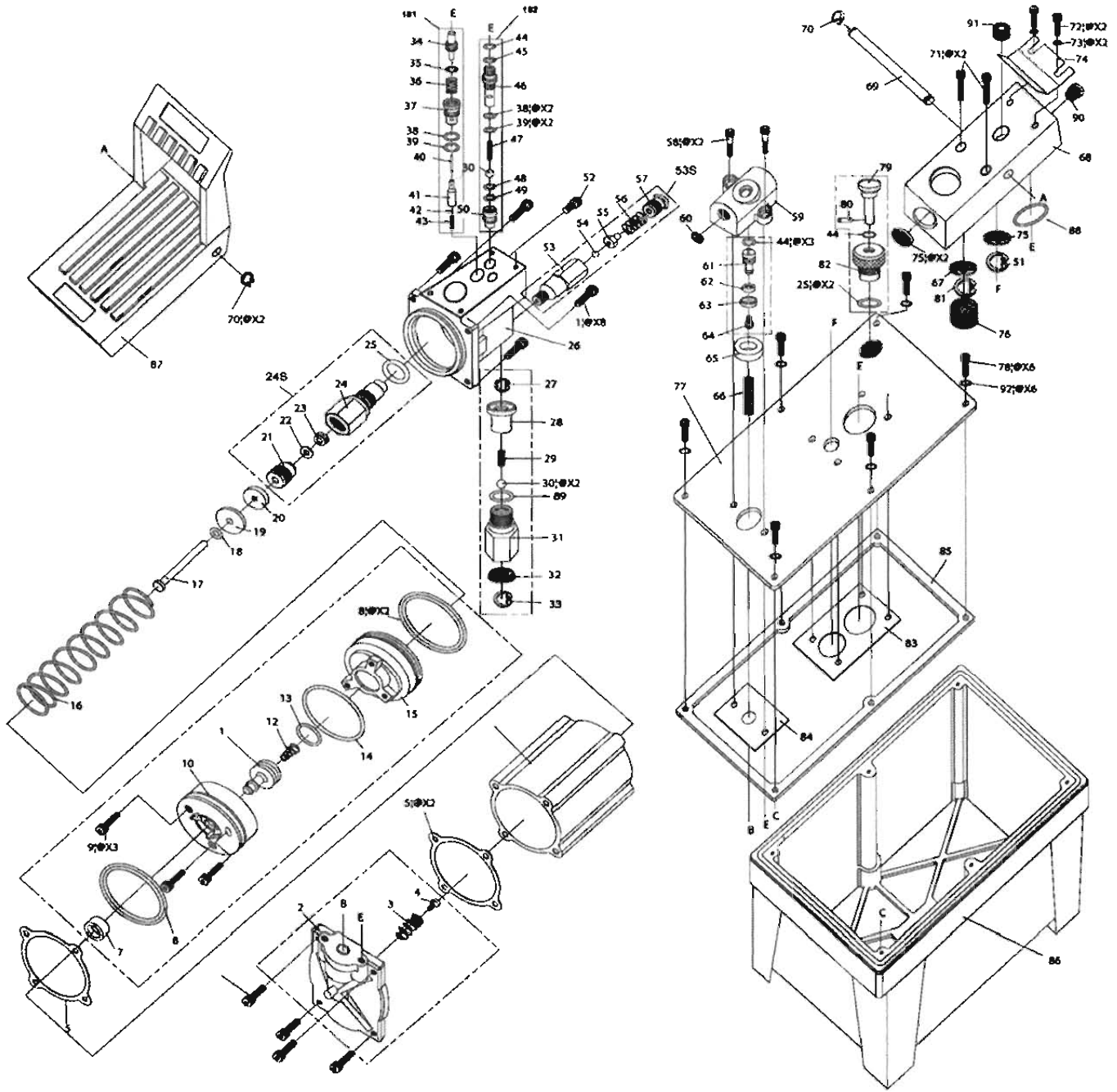
1. Remove the male fitting from the air filter and install a tee adapter with gauge between the hose and air filter.
2. Install male fitting into the tee adapter and securely clamp the hose to the male fitting.

### *Installing An In-line Hydraulic Pressure Gauge*

1. Remove the thread protector from the hydraulic outlet port and inspect the threads and fittings for signs of wear.
2. Install a tee adapter, with gauge, between the hose coupling and the pump hydraulic outlet port.
3. Tighten all connections securely. DO NOT OVER TIGHTEN HOSE CONNECTIONS.

# Zinko Hydraulic Jack

## Models: ZAP Series Parts Breakdown



Part #	Description
9200101-01	BOLT
9200101-02	TOP CAP
9200101-03	SPRING
9200101-04	BOLT
9200101-05	PACKING
9200101-06	CYLINDER TUBE
9200101-07	RESERVOIR CAP
9200101-08	BACKUP RING
9200101-09	BOLT
9200101-10	AIR PISTON A
9200101-11	CHANGE PISTON
9200101-12	SPRING
9200101-13	O-RING
9200101-14	O-RING
9200101-15	AIR PISTON B

Part #	Description
9200101-16	PISTON EXTENSION SPRING
9200101-17	PUMP PISTON
9200101-18	O-RING
9200101-19	PISTON CYLINDER CAP
9200101-20	O-RING WASHER
9200101-21	PUMP CYLINDER CAP
9200101-22	BACKUP RING
9200101-23	U-CUP RING
9200101-24	PUMP CYLINDER
9200101-25	O-RING
9200101-26	HYDRAULIC BASE
9200101-27	C-RING
9200101-28	OIL INLET VALVE STUD
9200101-29	SPRING
9200101-30	STEEL BALL

Part #	Description
9200101-31	OIL INLET VALVE
9200101-32	FILTER
9200101-33	C-RING
9200101-34	RELEASE VALVE BOLT
9200101-35	O-RING
9200101-36	SPRING
9200101-37	RELEASE VALVE BASE
9200101-38	BACKUP RING
9200101-39	O RING
9200101-40	STEEL BALL AXLE
9200101-41	RELEASE VALVE
9200101-42	STEEL BALL
9200101-43	SPRING
9200101-44	O-RING
9200101-45	BACKUP RING

# Zinko Hydraulic Jack

## Model: ZAP-101 & ZAP-101V Parts List

Part #	Description
9200101-46	OIL INLET VALVE
9200101-47	SPRING
9200101-48	O-RING
9200101-49	BACKUP RING
9200101-50	HIGH PRESSURE VALVE BOLT
9200101-51	C-RING
9200101-52	BOLT
9200101-53	VALVE CARTRIDGE
9200101-54	STEEL BALL
9200101-55	STUD
9200101-56	SPRING
9200101-57	SCREW
9200101-58	BOLT
9200101-59	AIR INLET VALVE SEAT
9200101-60	FILTER
9200101-61	AIR INLET VALVE

Part #	Description
9200101-62	O-RING WASHER
9200101-63	AIR INLET VALVE CAP
9200101-64	BOLT
9200101-65	O-RING WASHER
9200101-66	SPRING
9200101-67	SILENCER (A)
9200101-68	OIL OUTLET VALVE SEAT
9200101-69	FOOT PEDAL AXLE
9200101-70	C-RING
9200101-71	BOLT
9200101-72	BOLT
9200101-73	WASHER
9200101-74	FOOT PEDAL STOP WASHER
9200101-75	SILENCER (B)
9200101-76	WIPER
9200101-77	COVER

Part #	Description
9200101-78	BOLT
9200101-79	AIR VENTILATION NEEDLE
9200101-80	PIN
9200101-81	C-RING
9200101-82	AIR VENTILATION BOLT
9200101-83	PACKING A
9200101-84	PACKING B
9200101-85	OIL PACKING
9200101-86	OIL CONTAINER
9200101-87	FOOT PEDAL
9200101-88	O-RING
9200101-89	O-RING
9200101-90	FILTER
9200101-91	C-RING
9200101-92	SPRING WASHER
9200101-93	VENT PLUG

### Repair Kits

#### Seal Kit 9200101-163

Item #	Description	Qty
5	PACKING	2
8	BACKUP RING	2
13	O-RING	1
14	O-RING	1
18	O-RING	1
20	O-RING WASHER	1
22	BACKUP RING	1
23	U-CUP RING	1
25	O-RING	2
32	FILTER	1
35	O-RING	1
38	BACKUP RING	2
39	O-RING	2
44	O-RING	2
45	BACKUP RING	1
48	O-RING	1
49	BACKUP RING	1
60	FILTER	1
62	O-RING WASHER	1
65	O-RING WASHER	1
67	SILENCER (A)	1
75	SILENCER (B)	2
76	WIPER	1
81	O-RING	1
83	PACKING (A)	1
84	PACKING (B)	1
85	OIL PACKING	1
88	O-RING	1
89	O-RING	1
90	FILTER	1

#### Air Motor Seal Kit 9200101-164

Item #	Description	Qty
8	PACKING	2
8	BACKUP RING	2
13	O-RING	1
14	O-RING	1
18	O-RING	1
20	O-RING WASHER	1
22	BACKUP RING	1
23	U-CUP RING	1
25	O-RING	1
83	PACKING (A)	1
84	PACKING (B)	1
85	OIL PACKING	1

#### Air Motor Seal Kit 9200101-165

Item #	Description	Qty
83	PACKING (A)	1
84	PACKING (B)	1
85	OIL PACKING	1

#### Reservoir Kit 9200101-166

Item #	Description	Qty
78	BOLT	6
85	OIL PACKING	1
86	OIL CONTAINER	1

#### Foot Pedal Kit 9200101-167

Item #	Description	Qty
70	C-RING	2
87	FOOT PEDAL	1

#### Foot Pedal Stop Kit 9200101-168

Item #	Description	Qty
72	BOLT	2
73	WASHER	2
74	FOOT PEDAL STOP	1

#### Foot Pedal Axle 9200101-169

Item #	Description	Qty
69	FOOT PEDAL AXLE	1
70	C-RING	2

#### Air Motor Kit 9200101-170

Item #	Description	Qty
1	BOLT	8
2	TOP CAP	1
3	SPRING	1
4	BOLT	1
5	PACKING	2
6	CYLINDER TUBE	1
7	RESERVOIR CAP	1
8	BACKUP RING	2
9	BOLT	3
10	AIR PISTON A	1
11	CHANGE PISTON	1
12	SPRING	1
13	O-RING	1
14	O-RING	1
15	AIR PISTON B	1
16	PISTON EXT. SPRING	1
17	PUMP PISTON	1
18	O-RING	1
19	PISTON CYLINDER CAP	1
20	O-RING WASHER	1
21	PUMP CYLINDER CAP	1
22	BACKUP RING	1
23	U-CUP RING	1
24	PUMP CYLINDER	1
25	O-RING	2
26	HYDRAULIC BASE	1
27	C-RING	1
28	OIL INLET VALVE STUD	1
29	SPRING	1
30	STEEL BALL	2

#### Air Motor Kit (cont'd) 9200101-170

Item #	Description	Qty
31	BOLT	1
32	TOP CAP	1
33	SPRING	1
34	BOLT	1
35	PACKING	1
36	CYLINDER TUBE	1
37	RESERVOIR CAP	1
38	BACKUP RING	2
39	BOLT	2
40	AIR PISTON A	1
41	CHANGE PISTON	1
42	SPRING	1
43	O-RING	1
44	O-RING	1
45	AIR PISTON B	1
46	PISTON EXT. SPRING	1
47	PUMP PISTON	1
48	O-RING	1
49	PISTON CYLINDER CAP	1
50	O-RING WASHER	1
52	PUMP CYLINDER CAP	1
53	BACKUP RING	1
54	U-CUP RING	1
55	PUMP CYLINDER	1
56	O-RING	1
57	HYDRAULIC BASE	1
83	C-RING	1
84	OIL INLET VALVE STUD	1
85	SPRING	1
89	STEEL BALL	1

#### Oil Inlet Valve Kit 9200101-171

Item #	Description	Qty
27	C-RING	8
28	OIL INLET VALVE STUD	1
29	SPRING	1
30	STEEL BALL	1
31	OIL INLET VALVE	2
32	FILTER	1
33	C-RING	1
83	PACKING (A)	2
84	PACKING (B)	3
85	OIL PACKING	1
89	O-RING	1

# Zinko Hydraulic Jack

## Model: ZAP Series Repair Parts (continued)

### Pump Cylinder Kit 9200101-172

Item #	Description	Qty
5	PACKING	2
21	PUMP CYLINDER CAP	1
22	BACKUP RING	1
23	U-CUP RING	1
24	PUMP CYLINDER	1
25	O-RING	1
83	PACKING (A)	1
84	PACKING (B)	1
85	OIL PACKING	1

### Air Piston Kit 9200101-173

Item #	Description	Qty
5	PACKING	2
7	RESERVOIR CAP	1
8	BACKUP RING	2
9	BOLT	3
10	AIR PISTON A	1
11	CHANGE PISTON	1
12	SPRING	1
13	O-RING	1
14	O-RING	1
15	AIR PISTON B	1
83	PACKING (A)	1
84	PACKING (B)	1
85	OIL PACKING	1

### Top Cap Kit 9200101-174

Item #	Description	Qty
1	BOLT	8
2	TOP CAP	1
3	SPRING	1
4	BOLT	1
5	PACKING	2
83	PACKING (A)	1
84	PACKING (B)	1
85	OIL PACKING	1

### Hardware Kit 9200101-175

Item #	Description	Qty
1	BOLT	8
3	SPRING	1
4	BOLT	1
5	PACKING	2
16	PISTON EXT. SPRING	1
17	PUMP PISTON	1
18	O-RING	1
19	PISTON CYLINDER CAP	1
20	O-RING WASHER	1
34	RELEASE VALVE BOLT	1
35	O-RING	1
36	SPRING	1
37	RELEASE VALVE BASE	1
38	BACKUP RING	2
39	O-RING	2
40	STEEL BALL AXLE	1
41	RELEASE VALVE	1
42	STEEL BALL	1
43	SPRING	1
44	O-RING	1
45	BACKUP RING	1
46	OIL INLET VALVE	1
47	SPRING	1
48	O-RING	1
49	BACKUP RING	1
50	VALVE BOLT	1
52	BOLT	1
83	PACKING (A)	1
84	PACKING (B)	1
85	OIL PACKING	1

### Air Vent Kit 9200101-176

Item #	Description	Qty
25	O-RING	1
79	AIR VENT NEEDLE	1
80	PIN	1
81	O-RING	1
82	AIR VENT BOLT	1

### Air Inlet Valve Kit 9200101-177

Item #	Description	Qty
44	O-RING	2
60	FILTER	1
61	AIR INLET VALVE	1
62	O-RING WASHER	1
63	AIR INLET VALVE CAP	1
64	BOLT	1
65	O-RING WASHER	1
66	SPRING	1
83	PACKING (A)	1
84	PACKING (B)	1
85	OIL PACKING	1

### Air Inlet V. Seal Kit 9200101-178

Item #	Description	Qty
44	O-RING	2
58	BOLT	2
59	AIR INLET VALVE SEAT	1
60	FILTER	1
61	AIR INLET VALVE	1
62	O-RING WASHER	1
63	AIR INLET VALVE CAP	1
64	BOLT	1
65	O-RING WASHER	1
66	SPRING	1
83	PACKING (A)	1
84	PACKING (B)	1
85	OIL PACKING	1

### Oil Outlet V. S. Kit 9200101-179

Item #	Description	Qty
51	C-RING	1
67	SILENCER (A)	1
68	OIL OUTLET V. SEAT	1
71	BOLT	2
75	SILENCER (B)	2
76	WIPER	1
83	PACKING (A)	1
84	PACKING (B)	1
85	OIL PACKING	1
88	O-RING	1
91	C-RING	1

### Cover Kit 9200101-180

Item #	Description	Qty
77	COVER	1
78	BOLT	6
83	PACKING (A)	1
84	PACKING (B)	1
85	OIL PACKING	1

### Release Valve Kit 9200101-181

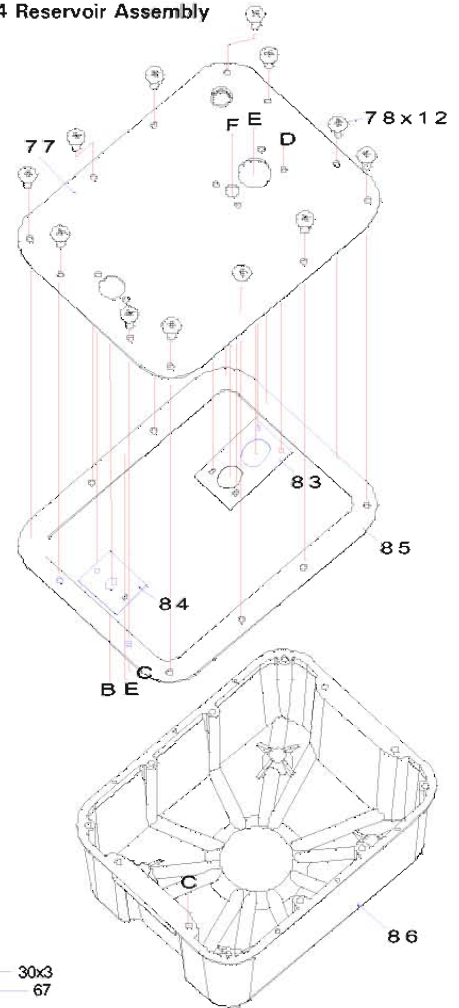
Item #	Description	Qty
34	RELEASE VALVE BOLT	1
35	O-RING	1
36	SPRING	1
37	RELEASE VALVE BASE	1
38	BACKUP RING	2
39	O-RING	2
40	STEEL BALL AXLE	1
41	RELEASE VALVE	1
42	STEEL BALL	1
43	SPRING	1

### Oil Press. Valve Kit 9200101-182

Item #	Description	Qty
30	STEEL BALL	1
38	O-RING	2
39	O-RING	1
44	O-RING	1
45	BACKUP RING	1
46	OIL INLET VALVE	1
47	SPRING	1
48	O-RING	1
49	BACKUP RING	1

### 9210104-166

### ZAP-104 Reservoir Assembly



Item #	Description	Qty
9200104-30	STEEL BALL	2
9200104-31	WASHER	1
9200104-32	OIL INLET VALVE	1
9200104-33	O-RING	1
9200104-29	SPRING	1
9200104-89	OIL INLET VALVE BASE	1
9200104-32	FILTER	1
9200104-33	C-RING	1
9200104-77	RESERVOIR COVER	1
9200104-78	BOLT	12
9200104-83	PACKING (A)	1
9200104-84	PACKING (B)	1
9200104-85	OIL PACKING	1
9200104-86	RESERVOIR TANK	1

# Zinko Hydraulic Jack

## Models: ZAP Series

REV 071607

### Interchangeable Reservoir Kits

Reservoir Kit 9200102-166

Item #	Description	Qty
78	BOLT	6
85	OIL PACKING	1
86	OIL CONTAINER	1

Reservoir Kit 9200103-166

Item #	Description	Qty
78	BOLT	6
85	OIL PACKING	1
86	OIL CONTAINER	1

### Troubleshooting

PROBLEM	CAUSE	SOLUTION
Pump Reciprocates But No Fluid Delivery (cylinder will not extend).	<ol style="list-style-type: none"> <li>Low fluid level.</li> <li>Pump not primed.</li> <li>Fluid intake filter contaminated.</li> </ol>	<ol style="list-style-type: none"> <li>Add fluid as instructed in <i>Preventive Maintenance</i> section.</li> <li>Prime pump as instructed in <i>Operation</i> section.</li> <li>Remove reservoir and clean intake filter and reinstall.</li> </ol>
Low Fluid Delivery (cylinder extends slowly).	<ol style="list-style-type: none"> <li>Inadequate air supply.                             <ol style="list-style-type: none"> <li>Check air input supply.</li> <li>Contamination, check air side of pump (plugged air inlet screen)</li> </ol> </li> <li>Hydraulic failure.                             <ol style="list-style-type: none"> <li>Check the fluid inlet filter for contamination.</li> <li>Air in hydraulic system.</li> </ol> </li> </ol>	<ol style="list-style-type: none"> <li> <ol style="list-style-type: none"> <li>Should be 20 CFM (.57 M3/min.) minimum.</li> <li>Clean and reassemble.</li> </ol> </li> <li> <ol style="list-style-type: none"> <li>Remove reservoir and clean intake filter and reinstall.</li> <li>Bleed the system as described in the <i>Preventive Maintenance</i> section.</li> </ol> </li> </ol>
Pump Will Not Build To Maximum Pressure (no visible leakage).	<ol style="list-style-type: none"> <li>Check the air supply.</li> <li>Pressure regulator improperly adjusted (if so equipped).</li> </ol>	<ol style="list-style-type: none"> <li>100 psi (7 bar) is required to obtain maximum pressure.</li> <li>Adjust according to instructions in <i>Operation</i> section.</li> </ol>
Pump Builds Pressure But Will Not Hold System Pressure.	<ol style="list-style-type: none"> <li>Check hydraulic connections and other system components for leakage, including 3-way/4-way valve.</li> </ol>	<ol style="list-style-type: none"> <li>Refit or repair as needed.</li> </ol>
Pump Will Continue To Run Slowly Even After Desired Pressure Is Reached.	<ol style="list-style-type: none"> <li>Output pressure equal or higher than relief valve setting.</li> <li>Defective 3-way/4-way valve or other components leaking.</li> </ol>	<ol style="list-style-type: none"> <li>Normal operation.</li> <li>Repair or replace.</li> </ol>
Excess Oil Spray From Muffler.	<ol style="list-style-type: none"> <li>Air lubricator is set too rich (if so equipped).</li> </ol>	<ol style="list-style-type: none"> <li>Set at one drop per minute.</li> </ol>

If the above procedures do not correct the problem, contact your nearest **ZINKO** service facility. When submitting any jack or equipment to be repaired, be sure to state the nature of the problem and indicate whether an estimate of the repair cost is needed.



## ZINKO HYDRAULIC JACK

PO Box 4903, Ontario, CA 91761  
 Toll Free: 1-800-579-8088  
<http://www.zinko.com>  
 Phone: (909) 989-9526  
 Fax: (909) 989-1724