



Aluminum Hand Pumps

Model: ZHP-A Series

Max. Operates: Up to 10,000 psi (70 Mpa)

Flow At Rated Pressure: 0.086 to 0.17 in³/stroke

Reservoir Capacity: 25 to 150 in³

Usage

These industrial quality, general purpose hand pumps are designed for use in a variety of applications where cylinder plunger must advance rapidly to contact load. Heat treated aluminum alloy construction reduces weight and makes these pumps extremely durable.

Special Features

1. The strongest aluminum alloys are used and heat treated to provide the maximum combination of strength and fracture resistance.
2. Super lightweight aluminum reservoir for portability.
3. The best choice for applications where composite reservoirs may not be suitable.
4. Large oil capacity to power a wide range of cylinders.
5. ZHP-150AD designed with built-in 4-way valve for use with double-acting cylinders. This valve allows the pump to advance or retract a double-acting cylinder at full pump pressure.
6. Two-speed pumps provide rapid cylinder's stroke at 1st stage minimizing effort. At 2nd stage, the pumps automatically switches when load is applied. This allows operation for faster fills and reduces cycle times for many testing operations.



Model:
ZHP-25A



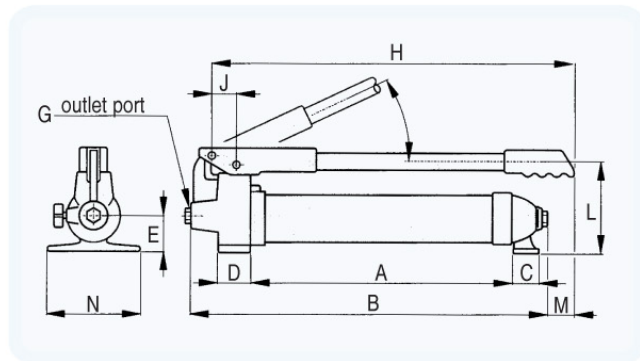
ZHP-150AD built in 4-way valve.



ZHP Aluminum models feature pre-drilled holes for easy fixturing.



ZHP-42A oil filter.



Model:
ZHP-42A

Model Number	Speed	Usable Oil Capacity (in ³)	Pressure Rating (psi)		Oil Displacement Per Stroke (in ³)		Maximum Handle Effort	Piston Stroke (in)	Dimensions (in)											Weight
			1 st Stage	2 nd Stage	1 st Stage	2 nd Stage			A	B	C	D	E	G	H	J	L	M	N	
ZHP-25A	2	25	300	10,000	0.345	0.086	100	1.00	9.76	13.11	1.85	1.61	1.48	3/8" NPT	12.13	0.95	5.63	—	4.04	8
ZHP-42A	2	42	300	10,000	0.345	0.086	71.5	1.00	16.65	20.00	1.85	1.61	1.48	3/8" NPT	19.02	0.95	6.26	—	4.04	9
ZHP-55A	2	55	300	10,000	0.345	0.086	93	1.00	19.80	23.14	1.85	1.61	1.48	3/8" NPT	22.17	0.95	6.42	—	4.04	10
ZHP-80A	2	80	300	10,000	0.345	0.134	92.4	1.00	26.00	29.44	1.85	1.64	1.48	3/8" NPT	24.50	0.95	6.65	—	4.04	12
ZHP-150A	2	150	350	10,000	0.79	0.17	87	1.10	16.73	25.87	1.85	1.77	2.20	3/8" NPT	26.97	1.12	6.69	2.17	5.43	27
ZHP-150AD	2	150	350	10,000	0.79	0.17	87	1.10	16.73	25.87	1.85	1.77	2.20	3/8" NPT	26.97	1.12	6.69	2.17	5.43	28