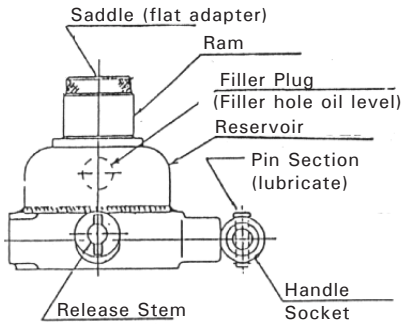




ZMJ Series Parts Breakdown

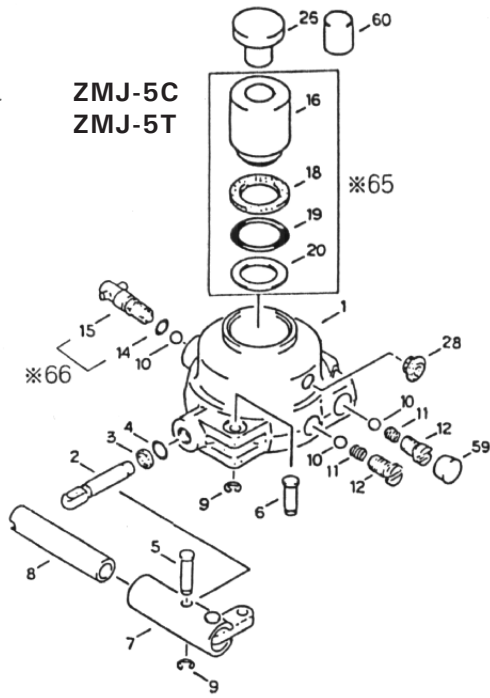
Toll Free: 1-800-579-8088 Web: www.zinko.com

REV 092507

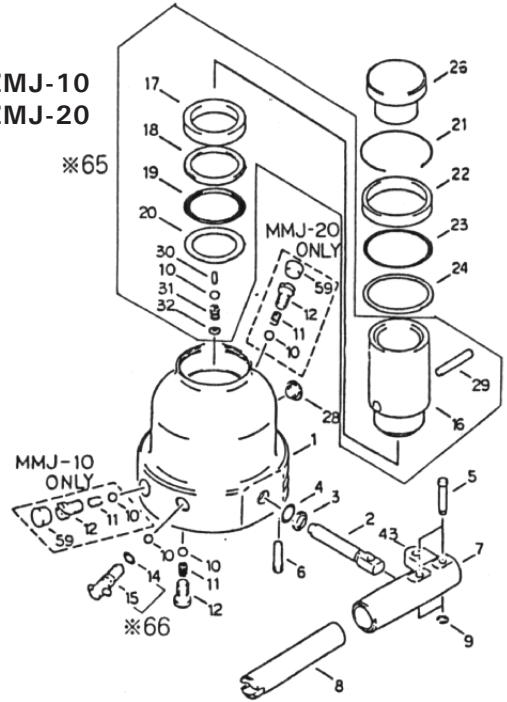


#	Description
1	Body Assy
2	Pump Plunger
3	Pump Backup Ring*
4	Pump Packing*
5	Pump Plunger Pin
6	Pump Stay Pin
7	Handle Socket Assy
8	Handle
9	Snap Ring/Push Nut
10	Valve Ball
11	Valve Spring
12	Valve Plug
14	Release Packing*
15	Release Assy
16	Ram
17	Ram Packing Seat
18	Ram Backup Ring*
19	Ram Packing*
20	Ram Packing Stopper
21	Snap Ring
22	Stuffing Ring
23	Cylinder Packing*
24	Stopper Ring
26	Supporting Plate
28	Oil Plug*
29	Horizontal
30	Vertical Pin
31	Ram Spring
32	R.S. Stopper Ring
43	Pump Stay
59	Dust Plug
60	Adapter
62	Spring Pin
65	Ram Assy
66	Release Stem Assy
RP	Repair Part Kit (All *)

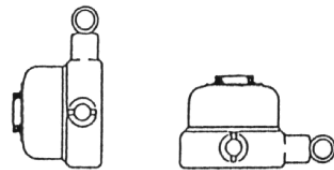
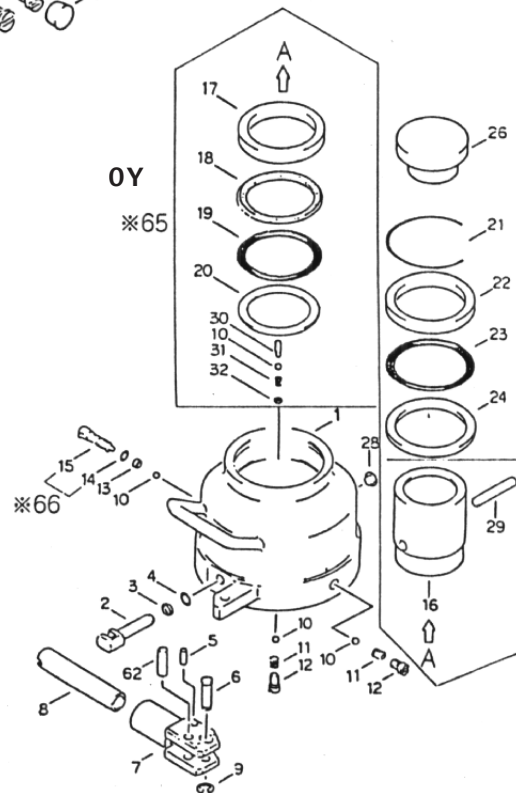
ZMJ-5C
ZMJ-5T



ZMJ-10
ZMJ-20



0Y



*When used horizontally hydraulic stroke falls to about 60%.