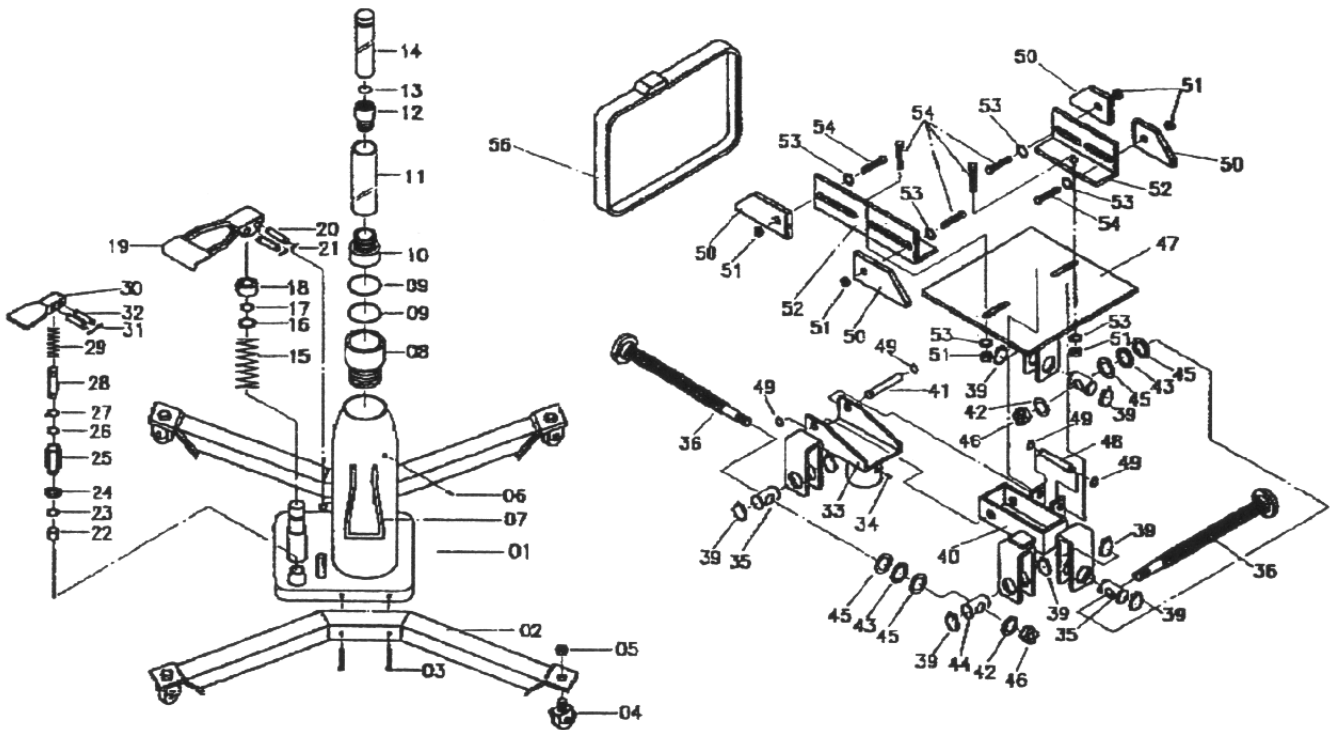




ZML-501 Parts Breakdown

Toll Free: 1-800-579-8088 Web: www.zinko.com

REV 100107



| | |
|----|-----------------|
| 1 | Base |
| 2 | Leg Assembly |
| 3 | Bolt |
| 4 | Caster Assembly |
| 5 | Screw Nut |
| 6 | Oil Plug |
| 7 | Handle |
| 8 | Top Nut |
| 9 | O-Ring |
| 10 | Bushing |
| 11 | Ram |
| 12 | Top Nut |
| 13 | O-Ring Seal |
| 14 | Ram |

| | |
|----|-----------------|
| 15 | Spring |
| 16 | Spring Retainer |
| 17 | O-Ring Seal |
| 18 | Bushing |
| 19 | Pedal |
| 20 | Bolt |
| 21 | R-Pin |
| 22 | Valve |
| 23 | O-Ring Seal |
| 24 | Washer |
| 25 | Pump Cylinder |
| 26 | O-Ring Seal |
| 27 | Backup Ring |
| 28 | Pump Piston |

| | |
|----|-------------------|
| 29 | Spring |
| 30 | Release Pedal |
| 31 | R-Pin |
| 32 | Bolt |
| 33 | Bottom Plate Assy |
| 34 | Screw |
| 35 | Stationary Screw |
| 36 | Adjustable Screw |
| 37 | Knob |
| 38 | Fit Screw |
| 39 | "C" Snap Ring |
| 40 | Tilting |
| 41 | Connect Rod |
| 42 | Washer |

| | |
|----|-------------------|
| 43 | Beeing |
| 44 | Stationary Rod |
| 45 | Washer |
| 46 | Nylon Tight Screw |
| 47 | Saddle |
| 48 | Connect Rod |
| 49 | "C" Snap Ring |
| 50 | Plate |
| 51 | Screw Nut |
| 52 | Angle Plate Assy |
| 53 | Washer |
| 54 | Screw |
| 55 | Chain |