



Toll Free: 1-800-579-8088 Web: www.zinko.com

MODEL

ZML-501 (1/2 ton)
Telescopic Transmission Jack

Operation & Maintenance Manual

Important Receiving Instructions

Visually inspect all components for shipping damage. Shipping damage is NOT covered by warranty. If shipping damage is found, notify carrier at once. The carrier is responsible for all repairs and replacement costs during product shipping.

For Your Safety and To Prevent Injury

Read, study and understand all warning labels and operating instructions furnished with this equipment prior to use. If any portion of this material is unclear, contact your representative for clarification. Never allow unskilled or improperly trained personnel to operate this equipment. Use of the transmission jack is limited to the removal and installation of transmissions, transaxles and vehicle components for which appropriate adapters are supplied. DO NOT lift or support vehicles with transmission jack.

Caution Remarks Used In This Manual

WARNING indicates a potential danger that requires correct procedures or practices to avoid personal injury.

Operator Responsibility

It is the operator's responsibility to read and understand all of the following safety statements:

WARNING

1. Be sure vehicle is appropriately supported before starting repairs. **This jack IS NOT a load supporting device.**
2. **DO NOT OVERLOAD.** Overloading can cause damage, failure of the jack, and/or personal or fatal injury.
3. **Use only on hard level surfaces capable of sustaining the load.**
4. Always use the load restraint belt, corner support bracket, and attachments to stabilize and firmly secure the load to the saddle. Insure that the load restraint belt is tight and properly positioned to effectively harness the load. **NEVER USE THIS JACK WITHOUT A LOAD RESTRAINT BELT THAT IS STRONG ENOUGH TO SUPPORT THE TRANSMISSION.**
5. Prior to transporting the load, insure that the jack is adjusted so the saddle is in the lowest horizontal position possible, and the load is centrally located on the saddle.
6. **DO NOT modify this equipment or remove load restraint belt.**
7. It is your responsibility to keep all warning labels and instruction literature legible and intact. Replacement labels and literature are available from the factory.
8. Failure to heed these warnings may result in equipment and/or property damage and/or personal or fatal injury.

Operating Instructions

Preparing the Vehicle for Transmission Removal or Installation

WARNING The entire vehicle must be lifted and supported (use under-hoist stands) high enough above the floor so there is space for the jack with transmission to clear the vehicle.

IMPORTANT: It is important to know the center weight balance of the transmission. The transmission saddle should support the center balance of transmission weight. Consult the vehicle manufacturer for information on the transmission.

Lowering the Load

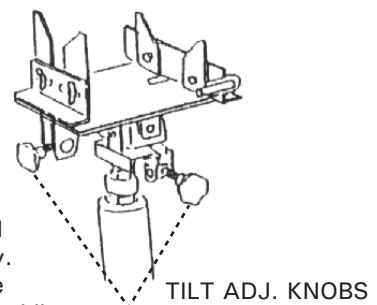
To lower the jack, simply depress the desired pedal slowly. The saddle stops lowering when the operator removes foot from the release pedal.

1. DO NOT use the jack beyond its rated capacity or for purposes other than what were intended.
2. The jack and load may be lowered by depressing the release pedal with your foot. Be careful not to fully depress the release pedal when the jack is under load.

WARNING Always use the proper release pedal for lowering the jack. Using the small pedal incorrectly when the jack is loaded may result in equipment and/or property damage and/or personal or fatal injury.

Raising the Load

1. Make sure the load to be raised is positioned properly and securely attached to the saddle assembly with the restraint system provided.
2. Pump pedal to raise saddle to contact load. Position jack so weight of load will be equally distributed on saddle, and adjust pitch and tilt controls as necessary. Position corner support brackets and secure load with load restraint belt. Make sure the load to be raised is positioned properly and securely attached to the saddle with the restraint system provided.



Zinko Hydraulic Jack

Model: ZML-501 Operating Instructions (*continued*)

WARNING Always use the load restraint belt, corner support brackets, and attachments to stabilize and firmly secure the load to the saddle. **The belt should be used as follows:** Hang the open end of the belt through the two "U" shaped slots beneath the saddle plate. Place the belt over the load, pull tight and engage into the buckle at the other end of the belt. Tighten the strapping and lock the buckle.

Removing the Transmission

1. Consult the vehicle manufacturer's instructions regarding transmission removal.
2. Place the jack so the saddle assembly will lift the center balance of the transmission weight. Pump the jack up until the saddle is close to the transmission oil pan.
3. Once the saddle is centered and positioned near the transmission oil pan, adjust the saddle base and corner support brackets (adapters) so the flange of the transmission pan will rest on the top edge of the adapters. The adapters must then be secured to the saddle by tightening the hex bolts. Now gently raise the saddle so the adapters are supporting the transmission pan flanges.
4. Use the load restraint belt, corner support brackets, and attachments to stabilize and firmly secure the load to the saddle.
5. Use the saddle plate tilt knobs, forward/backward or side-to-side tilting, to adjust the load to a proper position for transmission removal or for alignment with the engine.

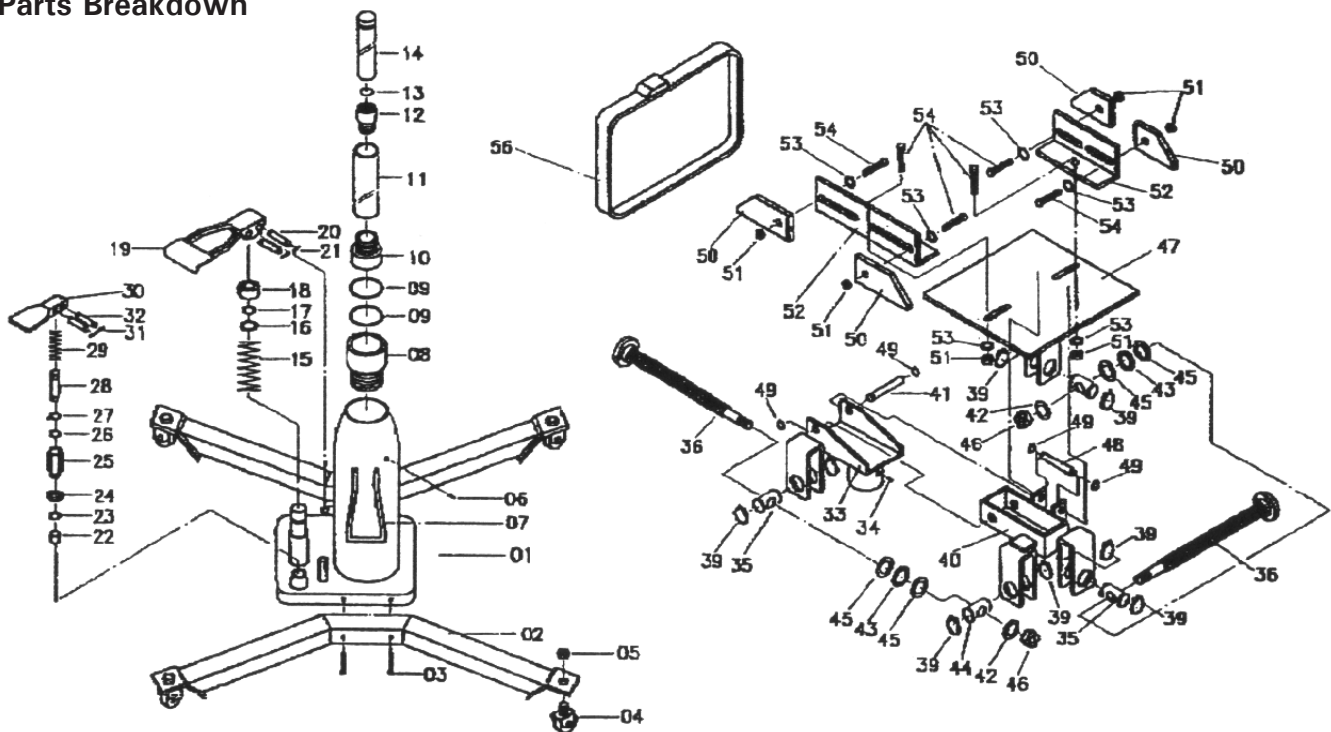
Installing the Transmission

1. After removal of the transmission it is recommended to keep the transmission jack saddle adjustment the same. This will help in installing the transmission into its proper position.
2. Proceed with the installation of the transmission in accordance with the vehicle manufacturer's instructions.

Maintenance Instructions

1. Lube the jack regularly. A medium weight lubricating grease should be used on all external moving parts, such as bearing surface, pivot points, tilt screws, etc.
2. Regularly check oil level. With the saddle fully lowered, remove oil plug and check oil level. Fill if necessary.
3. If jack fails to operate, check oil level and/or bleed unit before seeking service.
4. DO NOT use this jack as a wash rack when washing or steam cleaning transmissions.

Parts Breakdown



Zinko Hydraulic Jack

Model: ZML-501 Parts List

1	Base	15	Spring	29	Spring	43	Beoing
2	Leg Assembly	16	Spring Retainer	30	Release Pedal	44	Stationary Rod
3	Bolt	17	O-Ring Seal	31	R-Pin	45	Washer
4	Caster Assembly	18	Bushing	32	Bolt	46	Nylon Tight Screw
5	Screw Nut	19	Pedal	33	Bottom Plate Assy	47	Saddle
6	Oil Plug	20	Bolt	34	Screw	48	Connect Rod
7	Handle	21	R-Pin	35	Stationary Screw	49	"C" Snap Ring
8	Top Nut	22	Valve	36	Adjustible Screw	50	Plate
9	O-Ring	23	O-Ring Seal	37	Knob	51	Screw Nut
10	Bushing	24	Washer	38	Fit Screw	52	Angle Plate Assy
11	Ram	25	Pump Cylinder	39	"C" Snap Ring	53	Washer
12	Top Nut	26	O-Ring Seal	40	Tilting	54	Screw
13	O-Ring Seal	27	Backup Ring	41	Connect Rod	55	Chain
14	Ram	28	Pump Piston	42	Washer		



ZINKO HYDRAULIC JACK

PO Box 4903, Ontario, CA 91761

Toll Free: 1-800-579-8088

<http://www.zinko.com>

Phone: (909)989-9526

Fax: (909)989-1724