



Aluminum Hydraulic Cylinder

Model: ZR-A Series
Capacity: 30 - 150 Ton

Usage:

Easily carried around and connected to work with any 10,000 psi air over hydraulic pump. These lightweight and rugged cylinders are suitable for almost every heavy lifting situation, in the shop or on the job site.

Special Features:

1. All models come with 3/8" NPT fast-flow quick-connection couplers and dust caps.
2. Made of the strongest aluminum alloys and heat-treated to provide a maximum combination of strength and fracture resistance.
3. Grooved saddles for stability.
4. Steel base-plated for increased durability.
5. Optional valve to control cylinder speed can also be used as shut off valve for temporary load holding.
6. Optional aluminum base provides extra support and stability for the 50 ton cylinders.



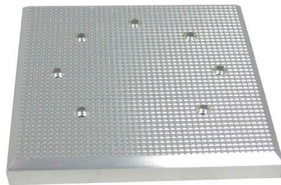
ZR-504A

ZR-306A

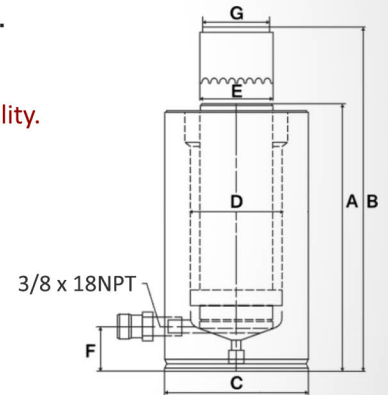


← Optional valve for shut off or temporary load holding.
 Part# 195411

Optional base plate for 50 ton cylinder →
 Part# 195611



↓ Grooved saddle for stability.



Model Number	Stroke (in)	Oil Capacity (in ³)	Min. Height (in)	Max. Height (in)	Outside Diameter (in)	Cylinder Bore Diameter (in)	Plunger Diameter (in)	Base to Adv. Port (in)	Saddle Diameter (in)	Weight (lbs)
			A	B	C	D	E	F	G	
30 Ton Capacity										
ZR-302A	2	13	6.49	8.50	4.45	2.56	2.55	2.27	2.24	17
ZR-304A	4	26	8.50	13.22	4.45	2.56	2.55	2.27	2.24	21
ZR-306A	6	39	10.79	16.96	4.45	2.56	2.55	2.27	2.24	24
50 Ton Capacity										
ZR-502A	2.25	25	6.93	9.17	5.90	3.74	3.15	1.80	2.81	25
ZR-504A	4.25	47	8.93	13.18	5.90	3.74	3.15	1.80	2.81	29
ZR-506A	6.25	69	10.93	17.16	5.90	3.74	3.15	1.80	2.81	35
100 Ton Capacity										
ZR-1002A	2	87	10.67	14.60	7.40	5.31	4.33	1.81	3.70	45
ZR-1004A	4	131	12.63	18.54	7.40	5.31	4.33	1.81	3.70	50
ZR-1006A	6	174	14.60	22.48	7.40	5.31	4.33	1.81	3.70	55
150 Ton Capacity										
ZR-1506A	6	207	13.50	19.40	9.05	6.69	5.51	2.00	4.45	75