



Single-Acting Low Height Cylinders

Model: ZRB Series
Stroke: 0.25" to 2.25"
Capacity: 10-100 tons



Usage

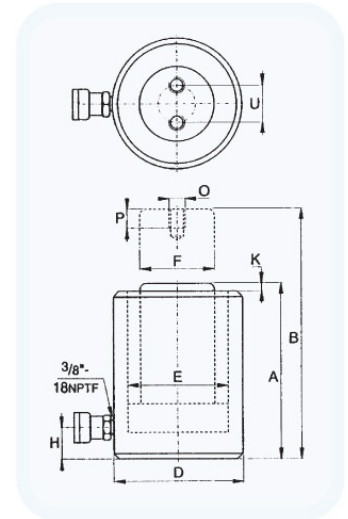
These lightweight, low profile cylinders are designed for use in confined spaces.

Special Features

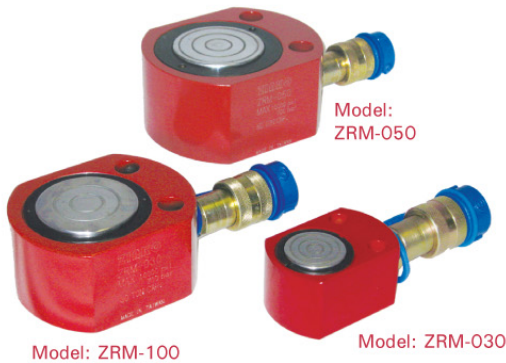
1. All models come with 3/8" NPT fast-flow coupler.
2. Integral handle on 50 and 100 ton model for easy carrying.



ZRB (top view)
 Grooved plunger end with threaded holes for mounting tilt saddles.



Model: ZRM Series
Stroke: 0.25" to 0.63"
Capacity: 5-100 tons

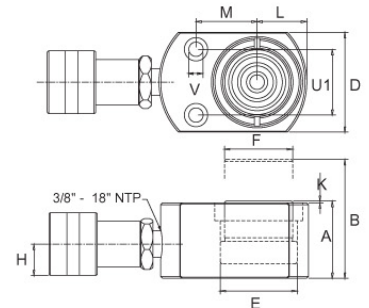


Usage

These low height cylinders have a flat and compact design for use where other cylinders will not fit.

Special Features

1. All models come with a 3/8" NPT fast-flow coupler.
2. Mounting holes allow easy mounting on almost any fixture.
3. Grooved plunger ends require no saddle.



Model Number	Cyl. Cap. (tons)	Stroke (in)	Cyl. Effect. Area (in ²)	Oil Cap. (in ³)	Dimensions (in)										Ship Wt. (lbs)	
					Collapsed Height	Extended Height	Outside Diameter	Cyl. Bore Diameter	Plunger Diameter	Base to Adv. Port	Plunger Protrusion					
					A	B	D	E	F	H	K					
ZRM Series													D	U1	L	
ZRM-005	5	0.25	0.99	0.25	1.28	1.53	2.31x1.63	1.13	1	0.63	0.04	1.63	1.12	0.81	3	
ZRM-010	10	0.44	2.24	0.98	1.69	2.13	3.25x2.19	1.69	1.5	0.75	0.04	2.19	1.44	1.09	4	
ZRM-020	20	0.44	4.43	1.95	2.03	2.47	4.00x3.00	2.38	2	0.75	0.04	3.00	1.94	1.56	7	
ZRM-030	30	0.50	6.51	3.25	2.31	2.81	4.63x3.75	2.88	2.5	0.75	0.08	3.75	2.06	1.88	10	
ZRM-050	50	0.63	9.63	6.07	2.63	3.25	5.50x4.50	3.5	2.75	0.75	0.08	4.50	2.62	2.25	15	
ZRM-075	75	0.63	15.92	10.03	3.13	3.75	6.50x5.50	4.5	3.25	0.75	0.08	5.5	3	2.75	25	
ZRM-100	100	0.63	19.66	12.39	3.38	4	7.00x6.00	5	3.63	0.75	0.08	6.00	3.00	3.00	32	
ZRB Series													O	P	U	
ZRB-101	10	1.50	2.43	3.35	3.47	4.97	2.75	1.69	1.5	0.69	0.20	M4	0.32	1.03	9	
ZRB-201	20	1.75	4.44	7.77	3.88	5.63	3.63	2.38	2	0.69	0.12	M5	0.32	1.56	11	
ZRB-302	30	2.44	6.50	15.85	4.63	7.06	4	2.88	2.62	0.75	0.12	M5	0.32	1.56	15	
ZRB-502	50	2.38	9.63	22.91	4.81	7.19	4.88	3.5	2.75	0.94	0.08	M5	0.32	1.56	24	
ZRB-1002	100	2.25	19.67	44.25	5.56	7.81	6.5	5	3.63	1.25	0.06	M8	0.32	2.19	50	

ZRM Model L = Plunger to Base ZRB Model O = Saddle thread P = Thread depth U = Bolt circle