



# Super Low Aluminum Service Jack

**Model: ZSJ-13A**  
**Capacity: 1.3 Ton**



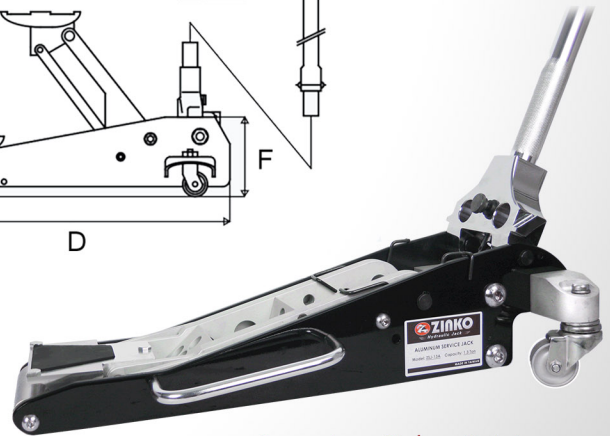
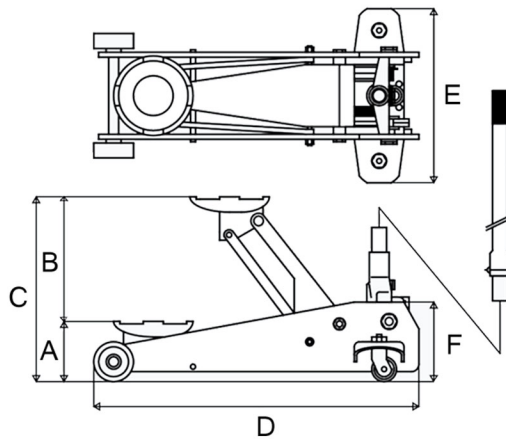
**ZSJ-13A**

## Usage:

Super low profile and lightweight - the initial pick up point is only 2.13". Extremely low chassis with frame height under 3.50". This jack can go under most vehicles without interference. Form fitted saddle so slim that it does not increase the minimum height of jack. Rubber pad prevents damage to the finish of the vehicle's undercarriage.

## Special Features:

1. Light, compact and durable - Fully CNC'd profile machined from aircraft grade billet aluminum for high strength and maximum weight savings.
2. Low Profile - Extra low starting height (2.13") jack frame especially designed for race cars and lowered vehicles.
3. Side mounted handle bar for quick and easy carrying.



• Super Low Pickup Point

Model Number	Capacity (Ton)	Minimum Height (in) A	Hydraulic Lift (in) B	Maximum Height (in) C	Chassis Length (in) D	Chassis Width (in) E	Height of Frame (in) F	Weight (lbs)
ZSJ-13A	1.3	2.13	15.25	17.38	24	11.75	6	45