



Hydraulic Wedge Jack

Model: ZWF Series
Capacity: 32 Ton

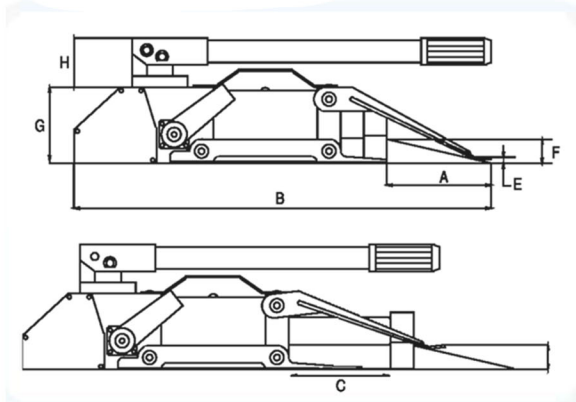


ZWF-31

ZWF-32



ZWF-31G



Usage:

This heavy-duty, portable, and easy-to-use wedge jack makes for a simple, one-person operation and is designed to safely lift and lower heavy objects. The unique low-profile, interlocking wedge design eliminates the risk of equipment bending or slipping while in use, while the 360° handle makes for easy usage in any position.

Special Features:

1. Powered by a built-in hydraulic hand pump, all models have a self-contained reservoir and are ready to use without making or breaking hydraulic connections.
2. Designed with a compact frame to reduce weight for portability; also comes with a classic wooden storage case.
3. Built in 4-way, 3 position manual valve allows easy advance, hold, and retract.
4. ZWF-31G model is equipped with a pressure gauge for pressure readings when force is applied.



ZWF-31

ZWF-32

Model Number	Capacity (Ton)	Stroke (in)	Min. Height (in)	Max. Height (in)	Dimensions (in)								Weight (lbs)
					A	B	C	D	E	F	G	H	
ZWF-31	32	5.50	0.24	1.34	9.75	21.75	5.50	5.00	0.20	1.34	4.25	2.75	43
ZWF-31G	32	5.50	0.24	1.34	9.75	25.50	5.50	5.00	0.20	1.34	4.25	2.75	50
ZWF-32	32	5.50	0.24	1.34	9.75	21.75	5.50	2.43	0.24	1.34	3.65	2.75	39